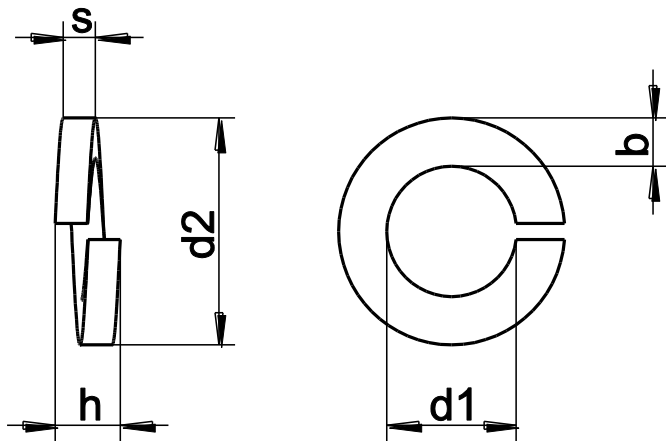


DIN 127 b
Veerring



diam	M2	M2.3	M2.5	M2.6	M3	M3.5	M4	M5	M6	M8	M10	M12	M14	M16	M18	M20	M22	M24	M27	M30	M33	M36	M39	M40	M42	M48
d1	2.1	2.3	2.6	2.7	3.1	3.6	4.1	5.1	6.1	8.1	10.2	12.2	14.2	16.2	18.2	20.2	22.5	24.5	27.5	30.5	33.5	36.5	39.5	40.5	42.5	49.0
d2	4.4	4.8	5.1	5.2	6.2	6.7	7.6	9.2	11.8	14.8	18.1	21.1	24.1	27.4	29.4	33.6	35.9	40.0	43.0	48.2	55.2	58.2	61.2	63.5	68.2	75.0
h min.	1.0	1.2	1.2	1.2	1.6	1.6	1.8	2.4	3.2	4.0	4.4	5.0	6.0	7.0	7.0	8.0	8.0	10.0	10.0	12.0	12.0	12.0	12.0	14.0	14.0	14.0
s	0.5	0.6	0.6	0.6	0.8	0.8	0.9	1.2	1.6	2.0	2.2	2.5	3.0	3.5	3.5	4.0	4.0	5.0	5.0	6.0	6.0	6.0	6.0	7.0	7.0	7.0
b	0.9	1.0	1.0	1.0	1.3	1.3	1.5	1.8	2.5	3.0	3.5	4.0	4.5	5.0	5.0	6.0	6.0	7.0	7.0	8.0	10.0	10.0	10.0	12.0	12.0	12.0