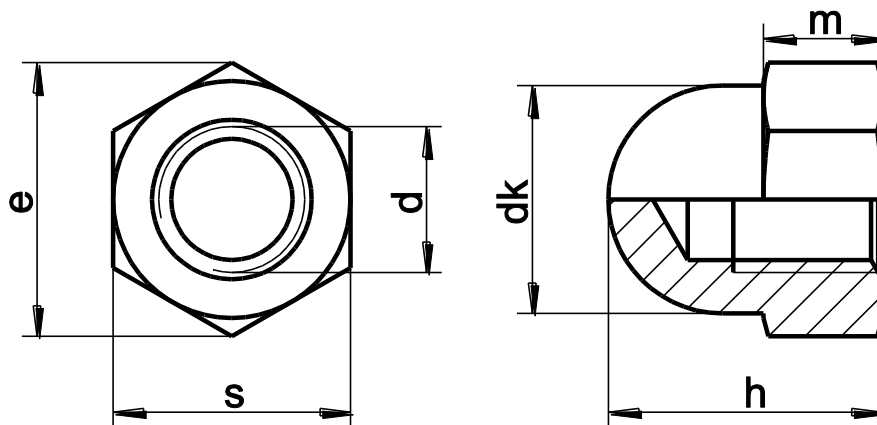
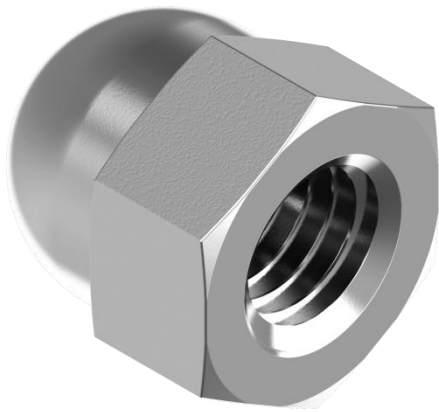


DIN 1587  
Dopmoer



diam	M3	M4	M5	M6	M8	M10	M12	M14	M16	M18	M20	M22	M24	M27	M30
m	2.4	3.2	4.0	5.0	6.5	8.0	10.0	11.0	13.0	15.0	16.0	18.0	19.0	20.0	24.0
h	7	8	10	12	15	18	22	25	28	32	34	39	42	47	52
s	5.5	7.0	8.0	10.0	13.0	17.0	19.0	22.0	24.0	27.0	30.0	34.0	36.0	41.0	46.0
e	6.01	7.66	8.79	11.05	14.38	18.90	21.10	24.49	26.75	30.14	33.53	37.72	39.98	47.30	52.00
dk	5.5	6.5	7.5	9.5	12.5	16.0	18.0	21.0	23.0	26.0	28.0	33.0	34.0	40.0	42.0
d	5.5	7.0	8.0	10.0	13.0	17.0	19.0	22.0	24.0	27.0	30.0	34.0	36.0	41.0	46.0