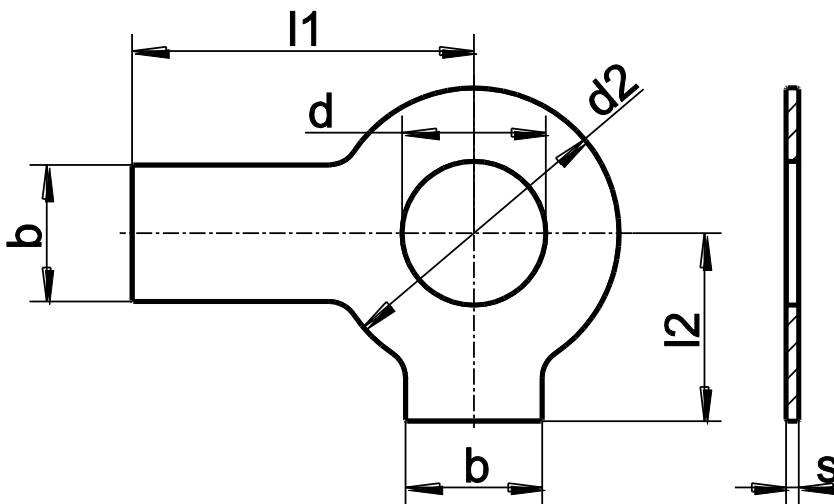


DIN 463
Lipborgplaat



diam	M4	M5	M6	M8	M10	M12	M14	M16	M18	M20	M22	M24	M27	M30	M33	M36	M39
d	4.3	5.3	6.4	8.4	10.5	13	15	17	19	21	23	25	28	31	34	37	40
d2	9.0	10.0	12.5	17.0	21.0	24.0	28.0	30.0	34.0	37.0	39.0	44.0	50.0	56.0	60.0	60.0	72.0
s	0.38	0.50	0.50	0.75	0.75	1.00	1.00	1.00	1.00	1.00	1.00	1.00	1.60	1.60	1.60	1.60	1.60
l1	14	16	18	20	22	28	28	32	36	36	42	42	48	52	56	60	64
l2	6.5	8.0	9.0	11.0	13.0	15.0	16.0	18.0	20.0	21.0	23.0	25.0	29.0	32.0	34.0	38.0	41.0
b	5	6	7	8	10	12	12	15	18	18	20	20	23	26	28	30	32