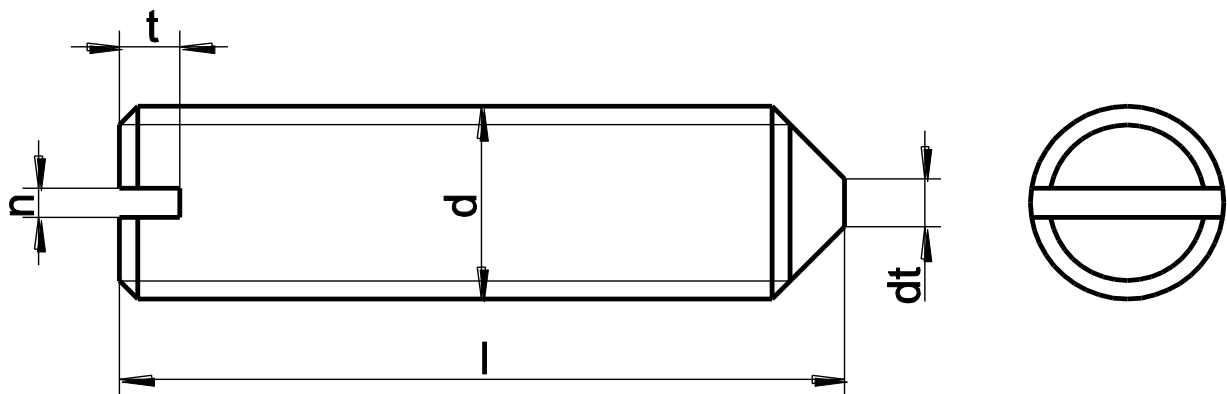


DIN 553
Stelschroef

316L.NL



diam	M2.5	M3	M4	M5	M6	M8	M10	M12
n	0.4	0.4	0.6	0.8	1.0	1.2	1.6	2.0
dt max.	0.25	0.30	0.40	0.50	1.5	2.00	2.50	3.00
t min.	0.72	0.80	1.12	1.28	1.60	2.00	2.40	2.80
t max.	0.95	1.05	1.42	1.63	2.00	2.50	3.00	3.60