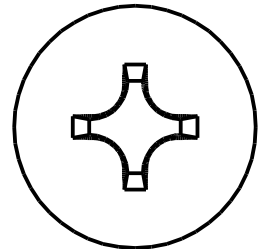
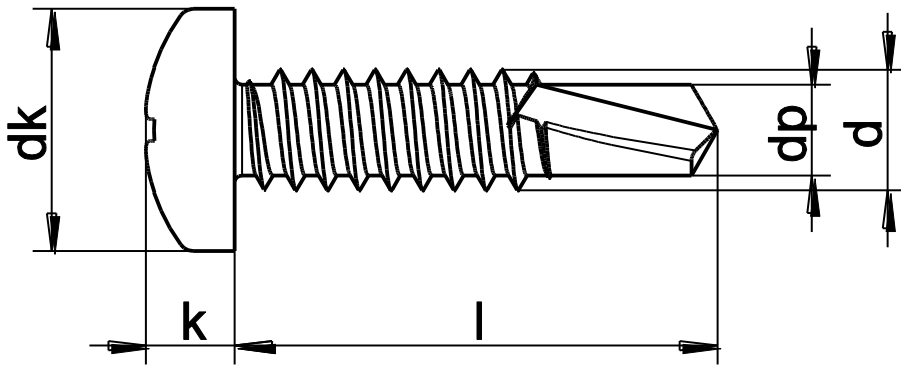


DIN 7504 nh
Boorschroef

316L.NL



diam	ST2.9	ST3.5	ST3.9	ST4.2	ST4.8
dp	2.3	2.8	3.1	3.6	4.1
dk max.	5.6	6.9	7.5	8.2	9.5
k max.	2.2	2.6	2.8	3.05	3.55
bit	P1	P2	P2	P2	P2