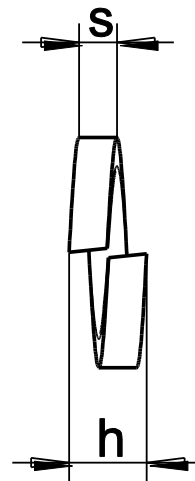
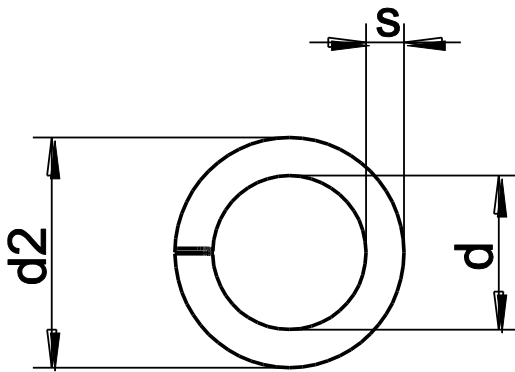


DIN 7980
Veerring



diam	M3	M3.5	M4	M5	M6	M8	M10	M12	M14	M16	M18	M20	M22	M24	M27	M30
d	3.0	3.5	4.0	5.0	6.0	8.0	10.0	12.0	14.0	16.0	18.0	20.0	22.0	24.0	27.0	30.0
d2 max.	5.6	6.1	7.0	8.8	9.9	12.7	16.0	18.0	21.1	24.4	26.4	30.6	32.9	35.9	38.9	44.1
h min.	2.0	2.0	2.4	3.2	3.2	4.0	5.0	5.0	6.0	7.0	7.0	9.0	9.0	10.0	10.0	12.0
s	1.0	1.0	1.2	1.6	1.6	2.0	2.5	2.5	3.0	3.5	3.5	4.5	4.5	5.0	5.0	6.0