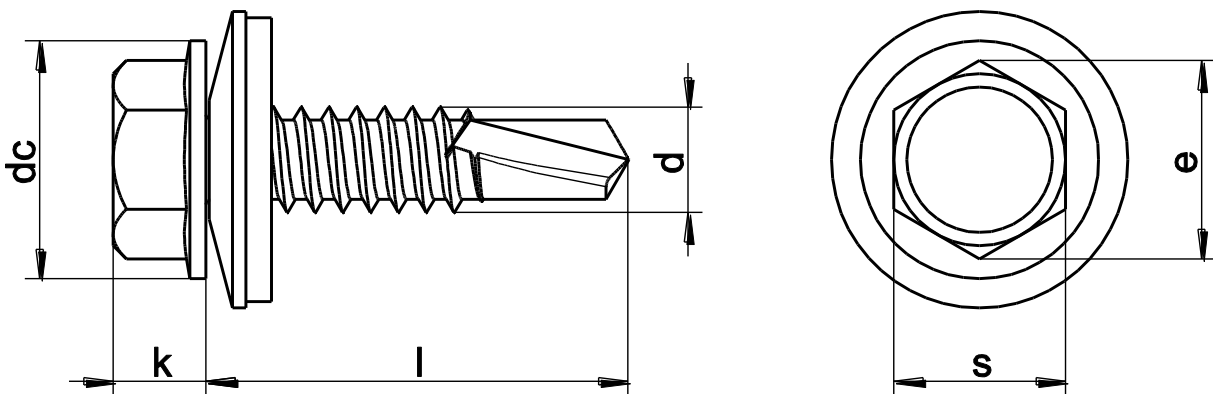
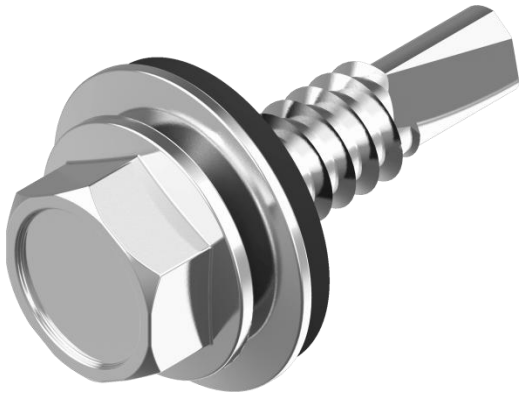


Art 8265  
Boorschroef



diam	ST3.5	ST3.9	ST4.2	ST4.8	ST5.5	ST6.3
dc max.	8.3	8.3	8.8	10.5	11.0	13.2
k max.	3.4	3.4	4.1	4.3	5.45	5.9
e min.	5.96	5.96	7.59	8.71	8.71	10.95
s	6	7	7	8	8	10
	6	7	7	8	8	10