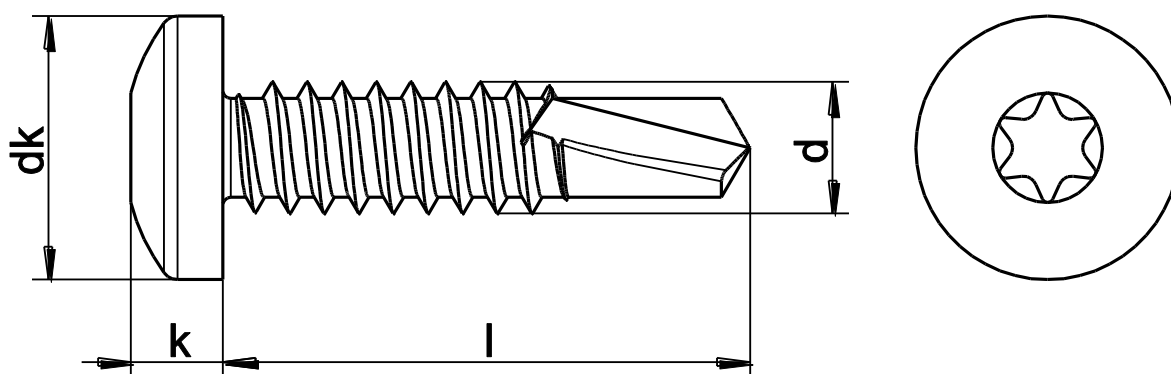
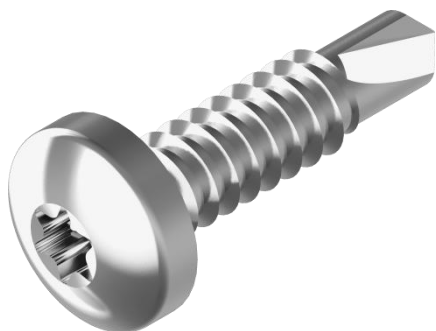


Art 8266  
Boorschroef

316L.NL



diam	ST3.5	ST3.9	ST4.2	ST4.8
dk max.	6.9	7.5	8.2	9.5
k max.	2.60	2.80	3.05	3.55
bit	TX10	TX20	TX20	TX25