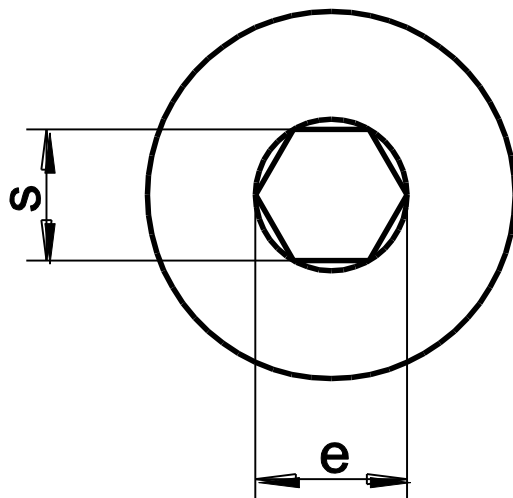
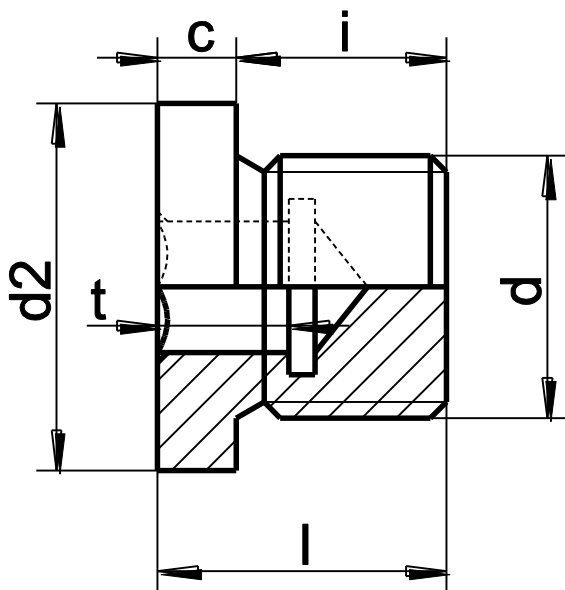


DIN 908
afdichtstop



diam	M10X1	M12X1.5	M14X1.5	M16X1.5	M18X1.5	M20X1.5	M22X1.5	M24X1.5	M26X1.5	M27X2	M30X2
d2	14	17	19	21	23	25	27	29	31	32	36
s	5	6	6	8	8	10	10	12	12	12	17
e	5.7	6.9	6.9	9.2	9.2	11.4	11.4	13.7	13.7	13.7	19.4
l	11	15	5	15	16	18	18	18	20	20	20
t	5.0	7.0	7.0	7.5	7.5	7.5	7.5	7.5	9.0	9.0	9.0
c	3	3	3	3	4	4	4	4	4	4	4
i	8	12	12	12	12	14	14	14	16	16	16