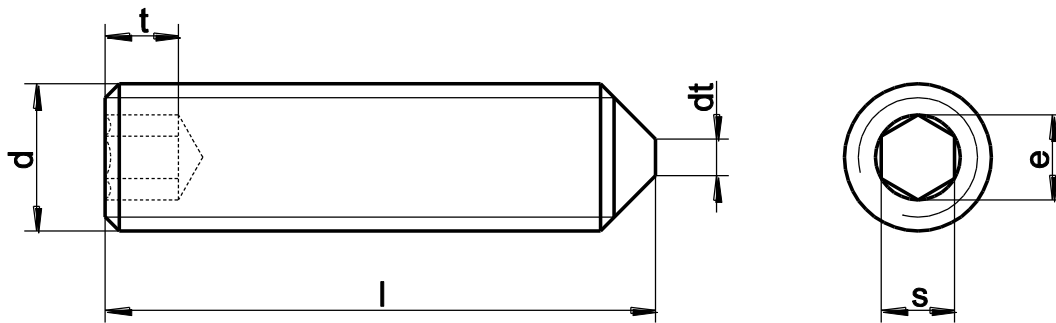


DIN 914  
Stelschroef



diam	M2	M2.5	M3	M4	M5	M6	M8	M10	M12	M16	M20
dt						0.90	1.40	1.90	2.40	3.25	4.25
t	0.8/1.7	1.2/2.0	1.2/2.0	1.5/2.5	2.0/3.0	2.0/3.5	3.0/5.0	4.0/6.0	4.8/8.0	6.4/10	8.0/12.0
s	0.9	1.3	1.5	2	2.5	3	4	5	6	8	10
e	1.003	1.427	1.730	2.300	2.870	3.440	4.580	5.720	6.860	9.150	11.430
bit	0.9	1.3	1.5	2	2.5	3	4	5	6	8	10