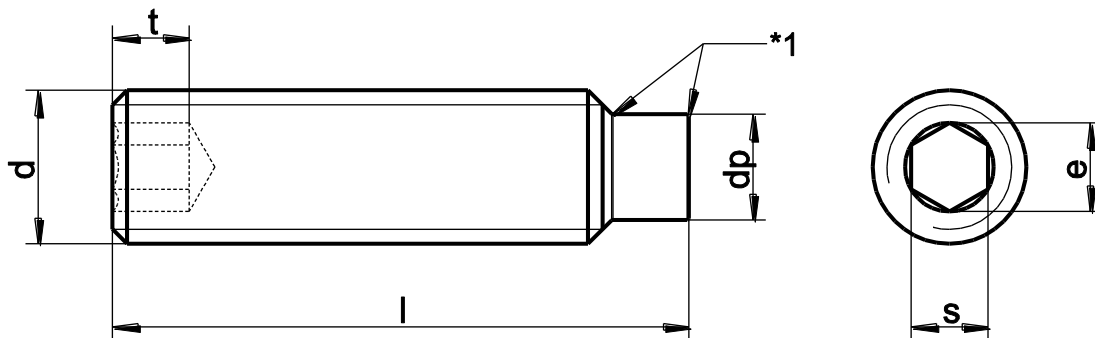


DIN 915  
Stelschroef



diam	M2	M2.5	M3	M4	M5	M6	M8	M10	M12	M16	M20
dp	0.75	1.25	1.75	2.25	3.20	3.70	5.20	6.64	8.14	11.57	14.57
t min.	0.8	1.2	1.2	1.5	2.0	2.0	3.0	4.0	4.8	6.4	8.0
t max.	1.7	2.0	2.0	2.5	3.0	3.5	5.0	6.0	8.0	10.0	12.0
s	0.9	1.3	1.5	2	2.5	3	4	5	6	8	10
e	1.0	1.4	1.7	2.3	2.9	3.4	4.6	5.7	6.9	9.2	11.4
bit	0.9	1.3	1.5	2	2.5	3	4	5	6	8	10