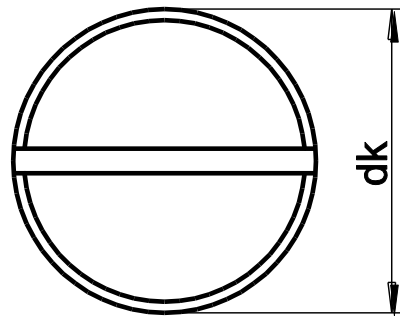
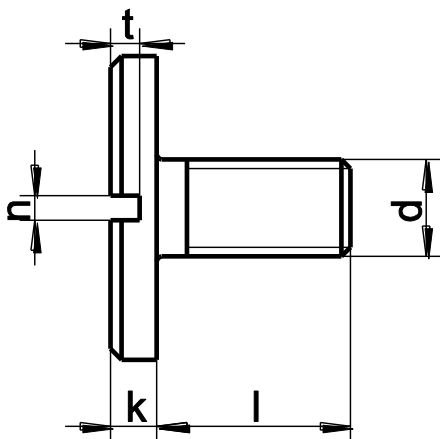
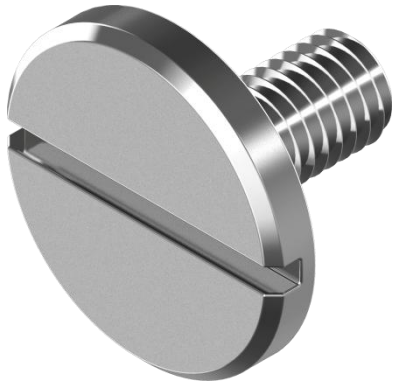


DIN 921
Vlakkopbout



diam	M3	M4	M5	M6	M8
dk	8	12	16	20	25
k	1.8	2.4	2.7	3.1	3.8
n	0.8	1.0	1.2	1.6	2.0
t min.	0.9	1.2	1.3	1.5	1.9
bit.	0.8X4.0	1.0X5.5	1.2X7.0	1.6X9.0	2.0X12.0